

# Paper Tray Lock (PTL)

Protect your **paper supply, prescriptions and private documents!**

## Easy to Install



Apply glue to patented Flex Feet.

Position PTL onto the printer.

Hold the PTL for 100 sec.

Our **Paper Tray Lock** can attach to almost any printer.

## Easy to Use



Unlock the PTL after 100 seconds.

Pull off the Cover Plate and allow glue to cure for 24hrs.

Access the paper tray.

Multiple locks can be **keyed alike** for your entire office. **Combination lock also available.**

## Security from Theft



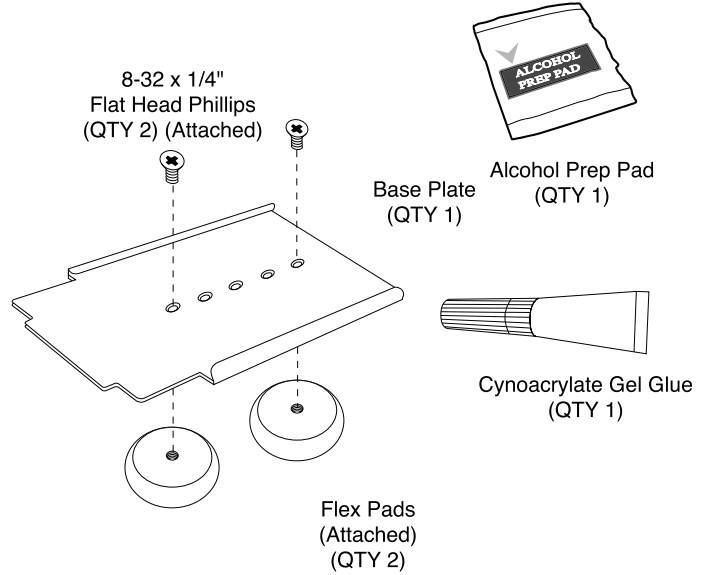
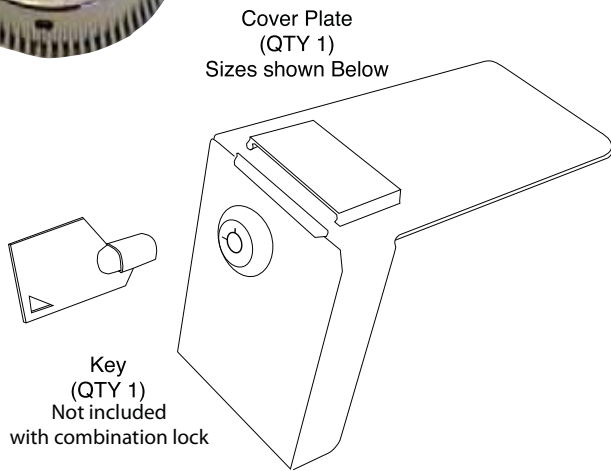
Lock the PTL in place.

The tray is completely secure.

**Patented** design gives you peace of mind.

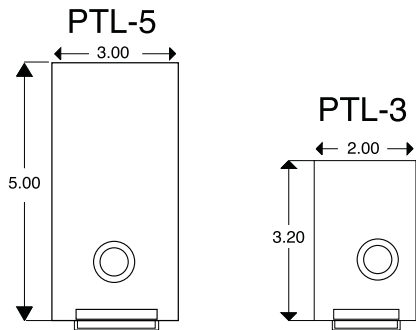
Optional four digit combination lock available

10,000 different combinations.

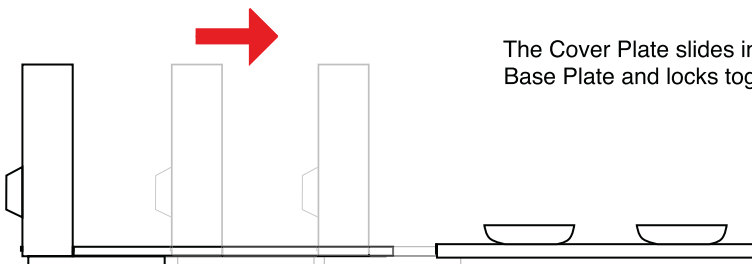
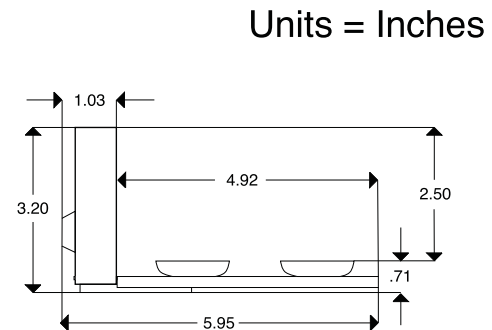


The Paper Tray Lock (PTL) is the convenient, low cost solution for paper supply control. Once unlocked the PTL Cover Plate removes easily for quick and convenient paper tray access. Mounts in minutes to the side or bottom of your printer with no tools required for installation. Simply apply the Base Plate with our patented Flex Feet to the side or bottom of your printer with our super strength Cynoacrylate Gel Glue, slide in the Cover Plate and engage the lock. It's that easy!

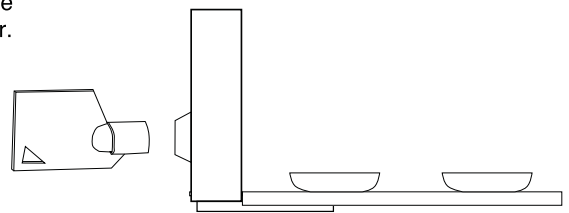
**Front**



**Side**



The Cover Plate slides into the Base Plate and locks together.



**\$37.40 SRP**

**Quantity Discounts Available**